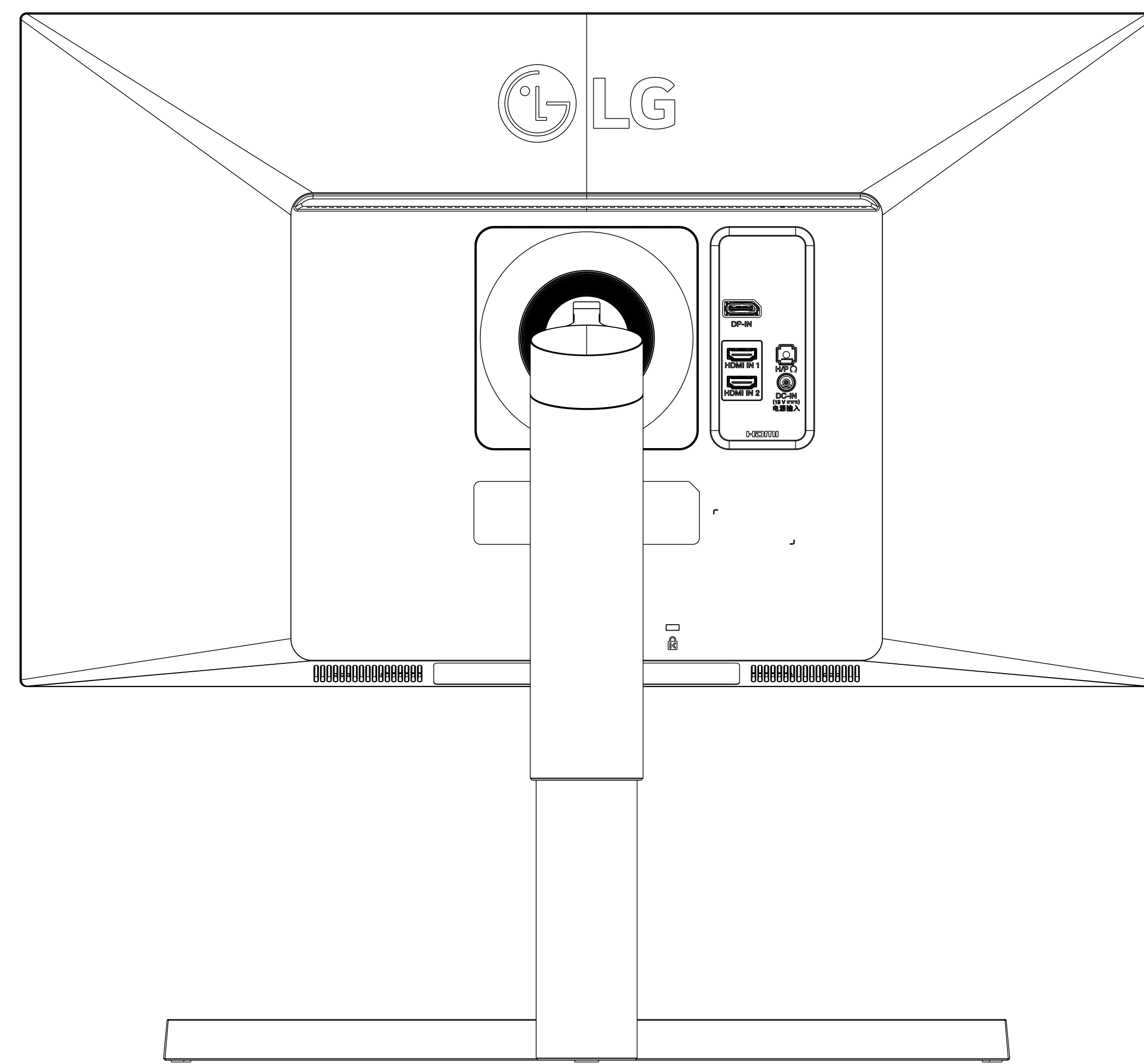
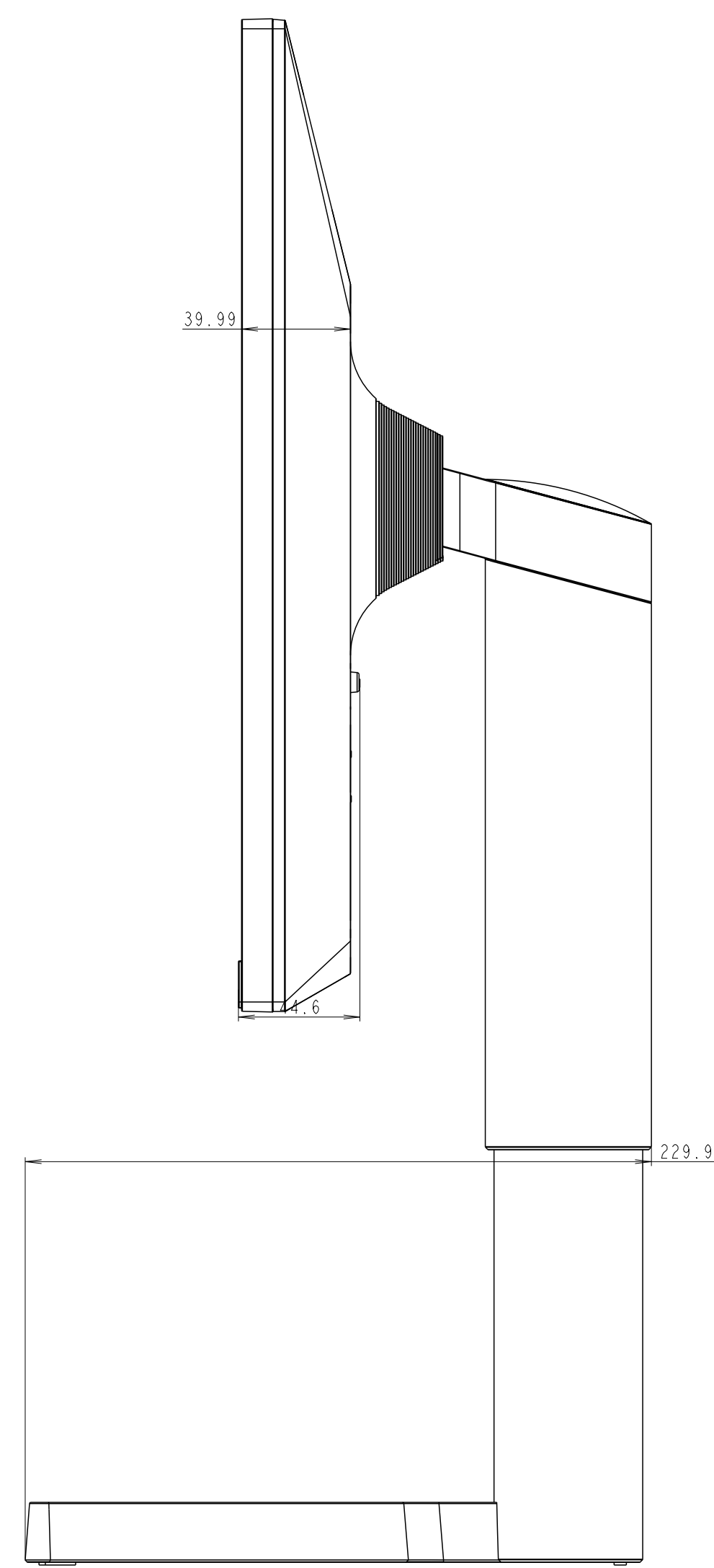
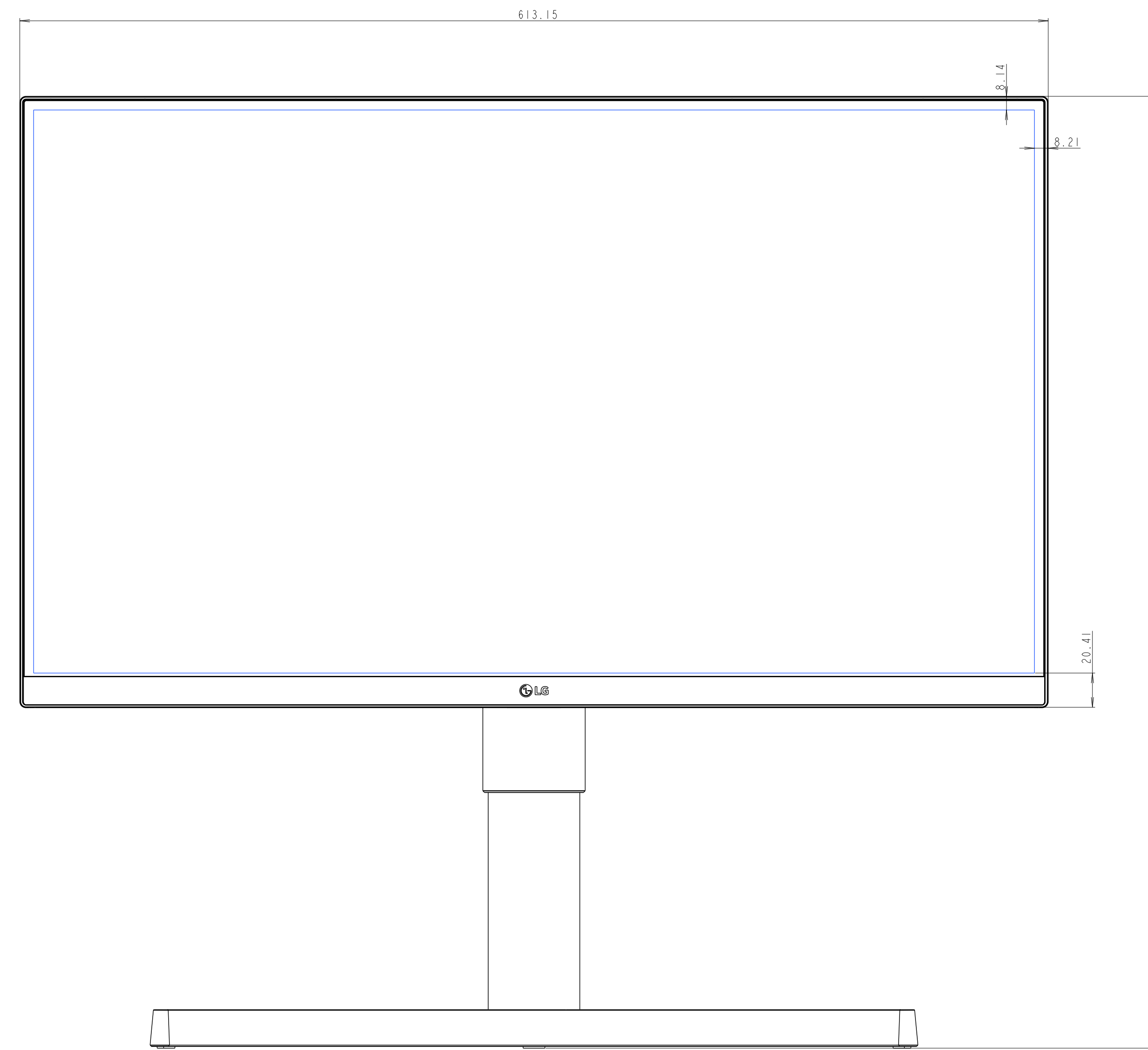
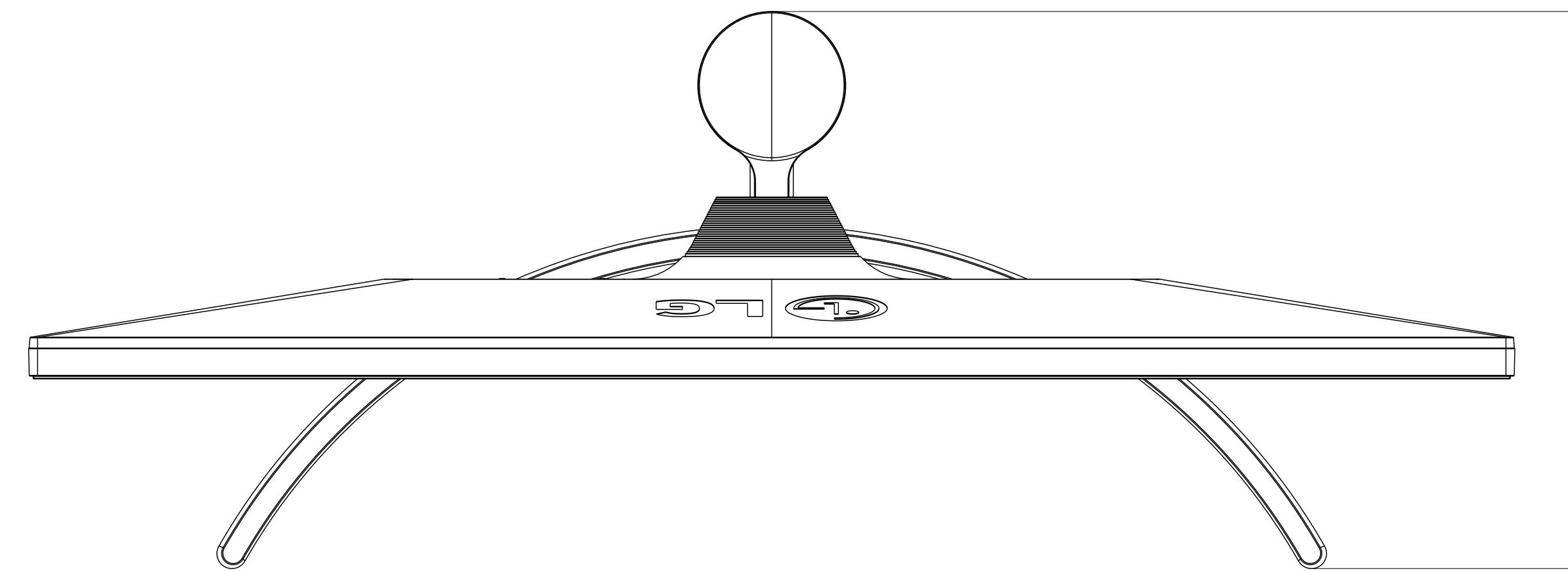


NO.	DESCRIPTION	PART NO.	MATERIAL



SCALE 1/2

SCALE 1/2

REV.	DATE	REV.	ECNO	REVISIONS	CONFIRM

SCALE	UNIT	TITLE	Model Name
1:1	MM	Part Spec	
DESIGNED	CHECKED	APPROVED	

LG Electronics Inc.	REF. NO.	DWG. NO.	(1/1)